

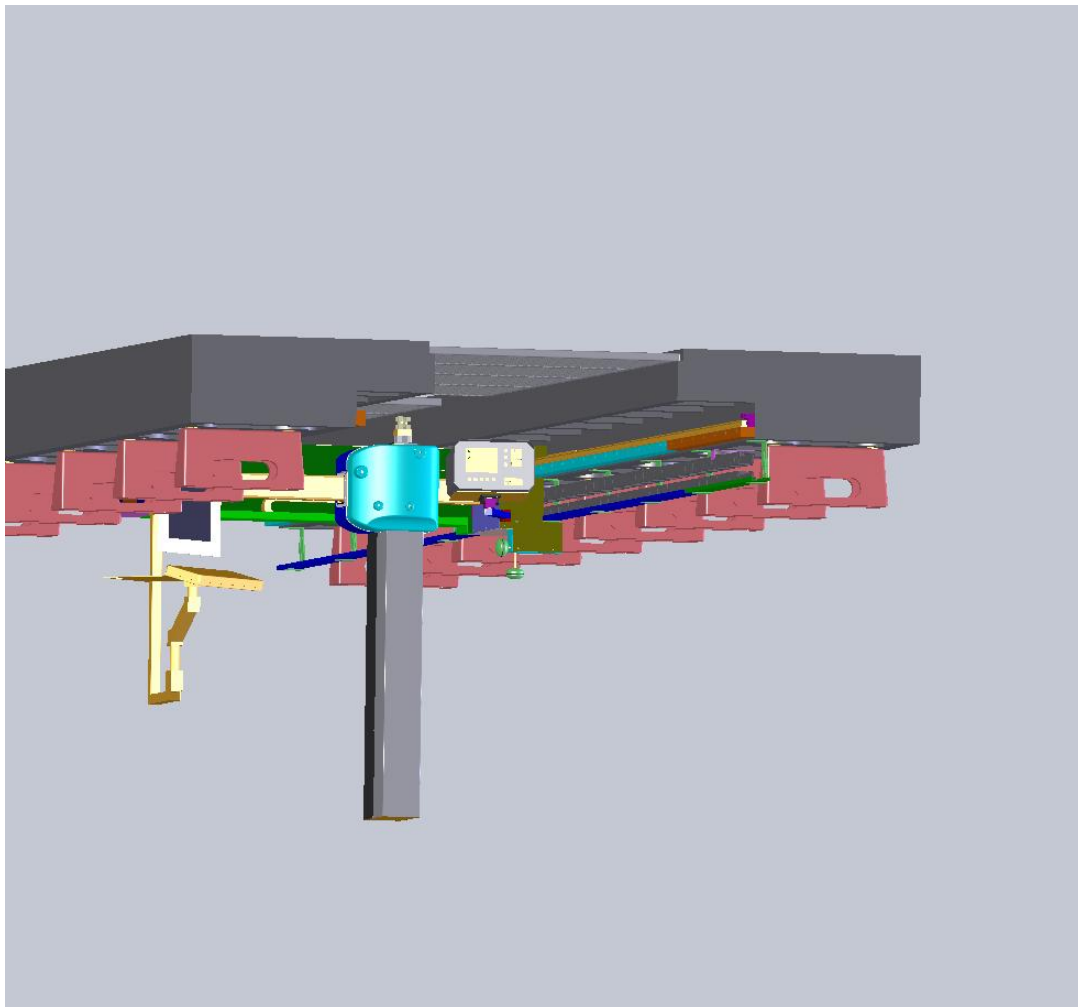


Stiefelmayer Underfloor CMM

Sturdy machine for measuring coordinates that are only accessible from below, for example car underside. The X axis guiding system is easy to adjust – it is mounted at the bottom of the measuring plate (fine machined surface). The Y and Z axes feature well proven Stiefelmayer technology with smooth-running ball bearing guides. The drives and brakes are operated manually via hand wheels.

The machine is equipped with a highly robust and precise inductive measuring system (resolution 0.001mm). The measuring counter MZ 2000 easily shows the axis position.

The underfloor CMM is also recommended for combination with Stiefelmayer VENTURA, FUTURA or ACTURA CMMs



CAD-Model without foundation pit